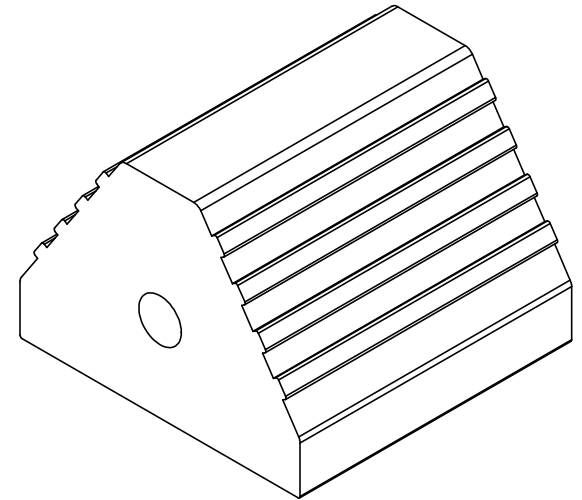
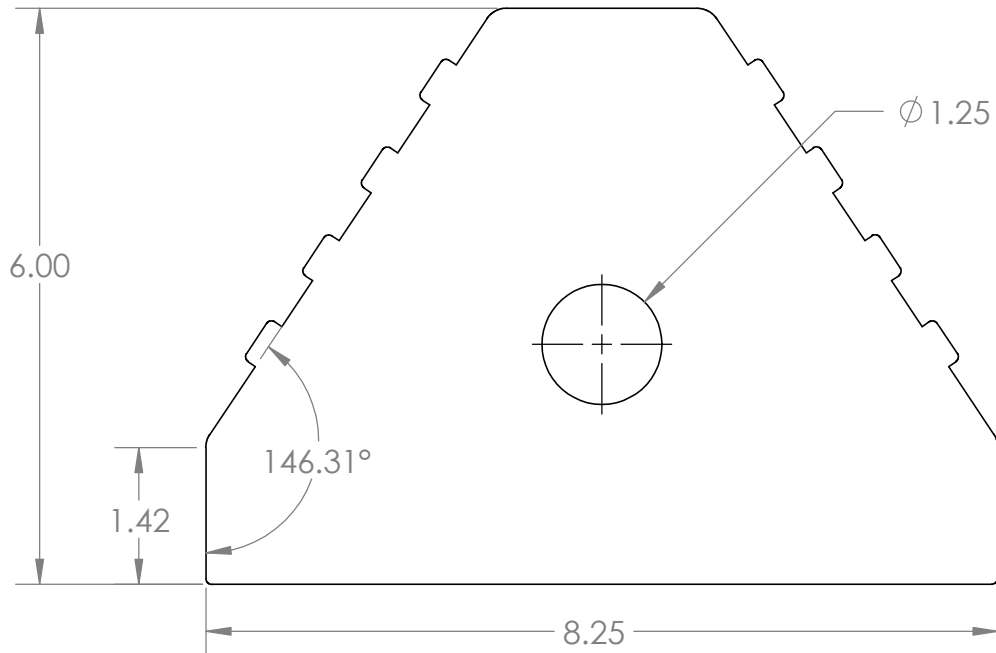


2

1

B



B

A

		UNLESS OTHERWISE SPECIFIED:			NAME	DATE		
		DIMENSIONS ARE IN INCHES		DRAWN			TITLE:	
		TOLERANCES:		CHECKED				
		FRACTIONAL $\pm$		ENG APPR.				
		ANGULAR: MACH $\pm$ BEND $\pm$		MFG APPR.				
		TWO PLACE DECIMAL $\pm$		Q.A.			SIZE DWG. NO. REV	
		THREE PLACE DECIMAL $\pm$		COMMENTS:				
		INTERPRET GEOMETRIC TOLERANCING PER:					<b>ASHL-CHOCK</b>	
		MATERIAL						
		FINISH					SCALE: 1:4 WEIGHT: SHEET 1 OF 1	
NEXT ASSY		USED ON						
APPLICATION		DO NOT SCALE DRAWING						

**PROPRIETARY AND CONFIDENTIAL**  
 THE INFORMATION CONTAINED IN THIS DRAWING IS THE SOLE PROPERTY OF <INSERT COMPANY NAME HERE>. ANY REPRODUCTION IN PART OR AS A WHOLE WITHOUT THE WRITTEN PERMISSION OF <INSERT COMPANY NAME HERE> IS PROHIBITED.

A

2

1